

MAX BR1 Mini

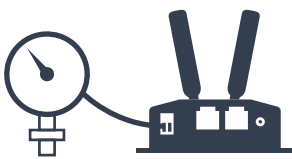
Industrial-Grade 4G LTE Router



Rugged 4G LTE Router with Add-On Automatic Failover

The BR1 Mini offers redundant SIM slots with automatic switching, DC or terminal block power capability, advanced GPS fleet tracking, and remote management, all packed into a durable metal enclosure.

Works With



Out of Band Management and M2M Telemetry

Manage and configure your networking devices securely even if the primary line is not available. Gather data from meters, sensors and other remote equipment via RS-232 serial port adapter.



Customizable Captive Portal

Branding your captive portal is as easy as uploading your logo and terms & conditions. You can easily set bandwidth allowance and access duration per user.



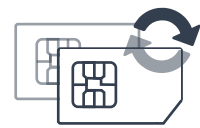
Add-On WAN Capabilities

The MAX BR1 Mini has an optional license that enables Ethernet and Wi-Fi WAN for failover between different WAN connections.



Fleet Tracking and Management

With built-in GPS fleet tracking and InControl cloud-based management, you can keep tabs on location and manage your mobile network from any Internet-connected device.



Redundant SIM Slots for Multiple Carriers

Redundant SIM slots with automatic switching for reliable networking. You can set the BR1 Mini to automatically switch SIM cards when you're about to exceed a data cap. It also allows you travel across borders without changing SIM cards manually.



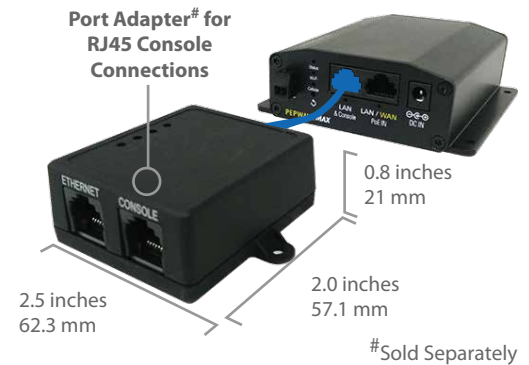
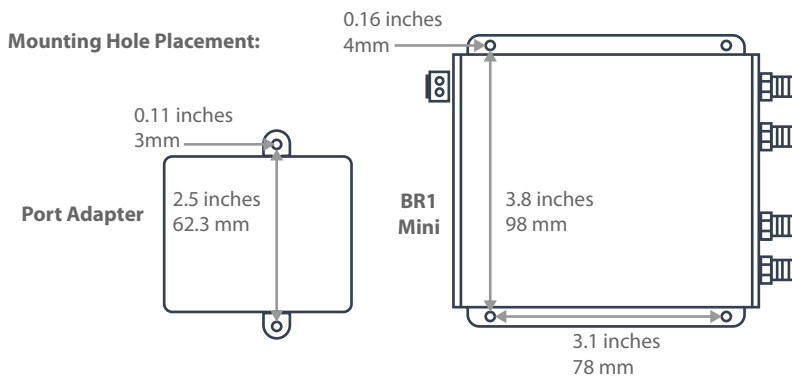
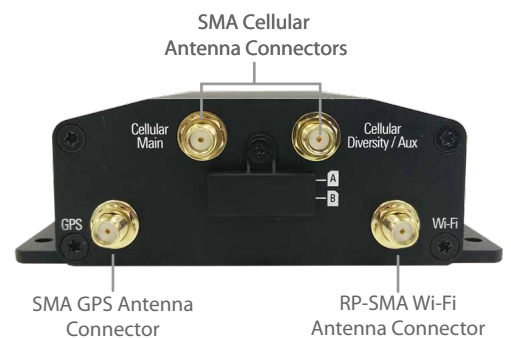
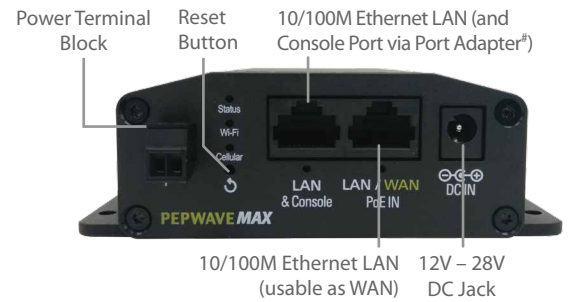
Terminal Block for Secure Power Supply

The MAX BR1 Mini is equipped with a terminal block for secure power installation in vehicles and other locations.

Specifications

MAX BR1 Mini

WAN Interface	1x 10/100M Ethernet Port# 1x Embedded LTE Modem with Redundant SIM Slot
LAN Interface	1x 10/100M Ethernet Port
Wi-Fi Interface	802.11b/g/n Wi-Fi WAN# or AP
Router Throughput	100Mbps
LTE Throughput	See Ordering Information
Recommended Users	1-60
Cellular and GPS Antenna Connector	2x SMA Antenna Connectors 1x SMA GPS Antenna Connector 1x Wi-Fi Connector
Power Input	DC Jack/Terminal Block: 12V – 28V DC Passive PoE Input (WAN Port, 12V – 28V DC)
Power Consumption	12W (max.)
Dimensions	4.1 x 4.3 x 1.2 inches 105 x 110 x 30 mm
Weight	0.54 pound 244 grams
Operating Temperature	-40° – 149°F -40° – 65°C
Humidity	15% – 95% (non-condensing)
Certifications	FCC, CE, RoHS EN 61000: Electromagnetic Compatibility
Warranty	1-Year Limited Warranty



#Sold Separately

Ordering Information

	Product Code	Region/Carrier	4G Bands/Frequencies (MHz)	3G Bands/Frequencies (MHz)
4G LTE	MAX-BR1-MINI-LTE-US-T	US	B2/1900, B4/AWS, B5/850, B13/700, B17/700, B25/1900	WCDMA/HSPA+/DC-HSPA+: B1/2100, B2/1900, B4/AWS, B5/850, B8/900 EV-DO Rev.A: BC0/800, BC1/1900, BC10/800
	MAX-BR1-MINI-LTE-E-T	EU	B1/2100, B3/1800, B7/2600, B8/900, B20/800	WCDMA/HSPA+/DC-HSPA+: B1/2100, B2/1900, B5/850, B6/800, B8/900

Product Code	Description
MAX-BR1-MINI-LC-FS	Failover software license and related feature set for BR1-MINI, enables Ethernet and Wi-Fi WAN.
ACW-411	Port adapter for BR1 Mini, enables RS-232 console port connectivity while simultaneously providing Ethernet LAN.
ACW-102	PoE injector for delivering passive PoE power to the BR1 Mini

Features

WAN

Support for PPPoE, Static IP, DHCP
WAN Link Health Check
Bandwidth Allowance Monitor
Support for Dynamic DNS services
WAN Port Convertible into LAN Port

LAN

DHCP Server for LAN Clients
Extended DHCP Options
DHCP Reservation
DNS Proxy for LAN Clients
VLAN on LAN Support
Per-Port VLAN Support

Security

Stateful Firewall
DoS Prevention
Web Blocking
Web Filtering Blacklist

Load Balancing

Intelligent Failover
Session Persistence
Per-Service Load Distribution
Multiple Algorithms

Advanced QoS

Individual Bandwidth Limit
Application Prioritization
SIP, HTTPS, VPN QoS
Custom Application QoS

Complete VPN Solution

PePVPN/SpeedFusion Hot Failover
Site-to-Site VPN
Hot Failover
256-bit AES Encryption
Pre-shared Key Authentication
Dynamic Routing
X.509 Certificate Support*
IPsec VPN (Network-to-Network)
X.509 Certificate Support*

Networking

NAT and IP Forwarding
Static Routes
Port Forwarding
Many to One, One to One NAT
NAT Pool
SIP ALG, H.323 ALG
UPnP, NAT-PMP

Captive Portal Support

Support for Wired and Wireless LAN Clients
Support for RADIUS Authentication
Time and Usage Quotas on Open Access Mode
Built-in Customizable Splash Page

Global Positioning System

Integrated GPS
Device Location Map
Location Tracking Data with InControl 2
Fleet Management with InControl 2

*Available as optional feature.